

SAVE THESE INSTRUCTIONS

defeat this safety feature.

outlet, reverse the plug. If it still does not fit, contact a qualified electrician. Do not attempt to reduce the risk of electrical shock, this appliance has a polarized plug (*one blade is wider than the other*). This plug fits a polarized outlet only one way; if the plug does not fit fully into the

- FOR PRODUCTS PURCHASED IN THE UNITED STATES AND CANADA To avoid a circuit overload, do not operate another high wattage appliance on the same circuit. If an extension cord is absolutely necessary, a 15-ampere cord should be used. Cords rated for less amperage may overheat. Care should be taken to arrange the extension cord so that it cannot be pulled or tripped over.

SPECIAL INSTRUCTIONS

- Your SUNBEAM™ iron is designed to rest on the heel rest. Do not leave the iron unattended. Do not set the iron on an unprotected surface, even if it is on its heel rest.
- If the iron is not operating normally, disconnect from the power supply and have the iron serviced by an authorized service center. Or call Customer Service at 1.800.458.8407.
- If the iron is not operating normally, disconnect from the power supply and have the iron a steam iron upside down – there may be hot water in the reservoir.
- Burns can occur from touching hot metal parts, hot water or steam. Use caution when you turn iron unattended while plugged in or on an ironing board.
- Close supervision is necessary for any appliance being used by or near children. Do not leave when the iron is used.
- center for examination and/or repair. Incorrect reassembly can cause a risk of electric shock avoid the risk of electric shock, do not disassemble the iron. Take it to an authorized service Do not operate iron with a damaged cord or if the iron has been dropped or damaged. To and when not in use.
- Always disconnect iron from electrical outlet when filling with water, cleaning or emptying Loop cord loosely around iron when storing.
- Do not allow cord to touch hot surfaces. Let iron cool completely before putting away.
- pull to disconnect.
- The Fabric Select Dial and Steam Lever should always be turned to OFF before plugging or unplugging from outlet. Never yank cord to disconnect from outlet; instead, grasp plug and To protect against risk of electric shock, do not immerse the iron in water or other liquids.
- Use iron only for its intended use.

READ ALL INSTRUCTIONS BEFORE USE

be followed including the following:

When using electrical appliances, basic safety precautions should always

IMPORTANT SAFEGUARDS

Sunbeam®

Instruction Manual Retractable Cord Iron Manual de Instrucciones Plancha con cordón retractable

MODEL/ MODELO GCSBCL-100 GCSBCL-100



www.sunbeam.com

P.N. 126246

GUARDE ESTAS INSTRUCCIONES

un electricista calificado. No intente anular esta característica de seguridad.

Para reducir el riesgo de choque eléctrico, este aparato tiene un enchufe polarizado (una para es más ancha que la otra). Este enchufe calza en un tomacorriente polarizado sólo de una manera; si el enchufe no cabe totalmente en el tomacorriente, gire el enchufe. Si aun así no calza, consulte a un electricista calificado.

PARA PRODUCTOS COMPRADOS EN LOS EE.UU. Y CANADÁ

- Si resulta absolutamente necesario usar un cable de extensión, se debe usar un cable de 15 amperios. Los cables con tensiones nominales menores pueden sobrecalentarse. Se debe cuidar de poner el cable de extensión de modo tal que no pueda ser arrancado o provocar tropiezos.
- Para evitar una sobrecarga del circuito no haga funcionar otro aparato de alto vataje en el mismo circuito.

INSTRUCCIONES ESPECIALES

- Su plancha SUNBEAM™ está diseñada para apoyarse en el talón de apoyo. No deje la plancha sin vigilancia. No apoye la plancha sobre una superficie no protegida, aun cuando sea sobre el talón de apoyo.
- Si la plancha SUNBEAM™ está diseñada para apoyarse en el talón de apoyo. No deje la plancha en el centro de servicio autorizado. O llame a Servicio al Cliente al 1.800.458.8407.
- Si la plancha no funciona normalmente, desconecte la del tomacorriente y hágala revisar por un en el reservorio.
- Se pueden producir quemaduras por contacto con las partes de metal calientes, el agua caliente o el vapor. Tenga cuidado al invertir una plancha de vapor ya que puede quedar caliente cerca de la plancha.
- Es necesario vigilar cuidadosamente a los niños cuando usen cualquier aparato o se encuentren de un choque eléctrico al usar la plancha.
- Para evitar el riesgo de choque eléctrico, no desarme la plancha. Llévela a un centro de servicio No haga funcionar la plancha si el cable está dañado o si la plancha se ha caído o dañado. Limpíandolo o vaciándolo y cuando no la esté usando.
- Desconecte siempre la plancha del tomacorriente eléctrico cuando esté llenándolo con agua, de guardarla. Envuelva el cable flojamente alrededor de la plancha para guardarla.
- No permita que el cable toque superficies calientes. Deje entrar la plancha por completo antes desconectarla del tomacorriente, sujete el enchufe y tire de él para desconectarla.
- [Seco] antes de enchufar o desenchufar la plancha del tomacorriente. Nunca tire del cable para El Disco Selector de Telas y la Palanca del Vapor siempre deben estar en “☹” (Dry) (☹) otros líquidos.
- Para protegerse contra el riesgo de un choque eléctrico, no sumerja la plancha en agua ni en
- Use la plancha únicamente para el uso al que está destinada.

LEA TODAS LAS INSTRUCCIONES ANTES DE USAR

seguridad incluyendo las siguientes:

Cuando use algún aparato eléctrico siempre deben seguirse precauciones básicas de

PRECAUCIONES IMPORTANTES

Garantía Limitada de 1 Año

Sunbeam Products, Inc. operando bajo el nombre de Jarden Consumer Solutions, o en Canadá, Sunbeam Corporation (Canada) Limited doing business as Jarden Consumer Solutions, (en forma conjunta, “JCS”), garantiza que por un período de un año a partir de la fecha de compra, este producto estará libre de defectos de materiales y mano de obra. JCS, a su elección, reparará o reemplazará este producto o cualquier componente del mismo que presente defectos durante el período de garantía. El reemplazo se realizará por un producto o componente nuevo o reparado. Si el producto ya no estuviera disponible, se lo reemplazará por un producto similar de valor igual o superior. Ésta es su garantía exclusiva. No intente reparar o ajustar ninguna función eléctrica o mecánica de este producto. Al hacerlo eliminará ésta garantía.

La garantía es válida para el comprador minorista original a partir de la fecha de compra inicial y la misma no es transferible. Conserve el recibo de compra original. Para solicitar servicio en garantía se requiere presentar un recibo de compra. Los agentes y centros de servicio de JCS o las tiendas minoristas que venden productos de JCS no tienen derecho a alterar, modificar ni cambiar de ningún otro modo los términos y las condiciones de esta garantía.

Esta garantía no cubre el desgaste normal de las piezas ni los daños que se produzcan como resultado de uso negligente o mal uso del producto, uso de voltaje incorrecto o corriente inapropiada, uso contrario a las instrucciones operativas, y desarme, reparación o alteración por parte de un tercero ajeno a JCS o a un Centro de Servicio autorizado por JCS. Asimismo, la garantía no cubre actos fortuitos tales como incendios, inundaciones, huracanes y tornados.

¿Cuál es el límite de responsabilidad de JCS?

JCS no será responsable de daños incidentales o emergentes causados por el incumplimiento de alguna garantía o condición expresa, implícita o legal.

Excepto en la medida en que lo prohíba la ley aplicable, cualquier garantía o condición implícita de comerciabilidad o aptitud para un fin determinado se limita, en cuanto a su duración, al plazo de la garantía antes mencionada.

JCS queda exenta de toda otra garantías, condiciones o manifestaciones, expresa, implícita, legal o de cualquier otra naturaleza.

JCS no será responsable de ningún tipo de daño que resulte de la compra, uso o mal uso del producto, o por la imposibilidad de usar el producto, incluidos los daños incidentales, especiales, emergentes o similares, o la pérdida de ganancias, ni de ningún incumplimiento contractual, sea de una obligación esencial o de otra naturaleza, ni de ningún reclamo iniciado contra el comprador por un tercero.

Algunas provincias, estados o jurisdicciones no permiten la exclusión o limitación de los daños incidentales o emergentes ni las limitaciones a la duración de las garantías implícitas, de modo que es posible que la exclusión o las limitaciones antes mencionadas no se apliquen en su caso.

Esta garantía le otorga derechos legales específicos y es posible que usted tenga otros derechos que varían de un estado, provincia o jurisdicción a otro.

Cómo solicitar el servicio en garantía

En los Estados Unidos – Si tiene alguna pregunta sobre esta garantía o desea recibir servicio de garantía, llame al 1.800.458.8407 y podrá obtener la dirección del centro de servicio que le resulte más conveniente.

En Canadá – Si tiene alguna pregunta sobre esta garantía o desea recibir servicio de garantía, llame al 1.800.667.8623 y podrá obtener la dirección del centro de servicio que le resulte más conveniente.

En los Estados Unidos, esta garantía es ofrecida por Sunbeam Products, Inc. operando bajo el nombre de Jarden Consumer Solutions, Boca Ratón, Florida 33431. En Canadá, esta garantía es ofrecida por Sunbeam Corporation (Canada) Limited operando bajo el nombre de Jarden Consumer Solutions, 20 B Hereford Street, Brampton, Ontario L6Y 0M1. Si usted tiene otro problema o reclamo en conexión con este producto, por favor escriba al Departamento de Servicio al Consumidor.

POR FAVOR NO DEVUELVA ESTE PRODUCTO A NINGUNA DE ESTAS DIRECCIONES NI AL LUGAR DE COMPRA.

Printed in China

Impreso en China

©2010 Sunbeam Products, Inc. operando bajo el nombre de Jarden Consumer Solutions, Boca Raton, Florida 33431. Todos los derechos reservados. Distribuido por Sunbeam Products, Inc. operando bajo el nombre de Jarden Consumer Solutions, Boca Raton, Florida 33431.

Para preguntas sobre los productos llame:
Sunbeam Consumer Service
EE.UU.: 1.800.458.8407
Canadá: 1.800.667.8623
www.sunbeam.com

SPR-101609

©2010 Sunbeam Products, Inc. doing business as Jarden Consumer Solutions. All rights reserved. Distributed by Sunbeam Products, Inc. doing business as Jarden Consumer Solutions, Boca Raton, Florida 33431.

For product questions:
Sunbeam Consumer Service
USA: 1.800.458.8407
Canada: 1.800.667.8623
www.sunbeam.com

Sunbeam®

1 Year Limited Warranty

Sunbeam Products, Inc. doing business as Jarden Consumer Solutions or if in Canada, Sunbeam Corporation (Canada) Limited doing business as Jarden Consumer Solutions (collectively “JCS”) warrants that for a period of one year from the date of purchase, this product will be free from defects in material and workmanship. JCS, at its option, will repair or replace this product or any component of the product found to be defective during the warranty period. Replacement will be made with a new or remanufactured product or component. If the product is no longer available, replacement may be made with a similar product of equal or greater value. This is your exclusive warranty. Do NOT attempt to repair or adjust any electrical or mechanical functions on this product. Doing so will void this warranty.

This warranty is valid for the original retail purchaser from the date of initial retail purchase and is not transferable. Keep the original sales receipt. Proof of purchase is required to obtain warranty performance. JCS dealers, service centers, or retail stores selling JCS products do not have the right to alter, modify or any way change the terms and conditions of this warranty.

This warranty does not cover normal wear of parts or damage resulting from any of the following: negligent use or misuse of the product, use of improper voltage or current, use contrary to the operating instructions, disassembly, repair or alteration by anyone other than JCS or an authorized JCS service center. Further, the warranty does not cover: Acts of God, such as fire, flood, hurricanes and tornados.

What are the limits on JCS’s Liability?

JCS shall not be liable for any incidental or consequential damages caused by the breach of any express, implied or statutory warranty or condition.

Except to the extent prohibited by applicable law, any implied warranty or condition of merchantability or fitness for a particular purpose is limited in duration to the duration of the above warranty.

JCS disclaims all other warranties, conditions or representations, express, implied, statutory or otherwise.

JCS shall not be liable for any damages of any kind resulting from the purchase, use or misuse of, or inability to use the product including incidental, special, consequential or similar damages or loss of profits, or for any breach of contract, fundamental or otherwise, or for any claim brought against purchaser by any other party.

Some provinces, states or jurisdictions do not allow the exclusion or limitation of incidental or consequential damages or limitations on how long an implied warranty lasts, so the above limitations or exclusion may not apply to you.

This warranty gives you specific legal rights, and you may also have other rights that vary from province to province, state to state or jurisdiction to jurisdiction.

How to Obtain Warranty Service

In the U.S.A. –

If you have any question regarding this warranty or would like to obtain warranty service, please call 1.800.458.8407 and a convenient service center address will be provided to you.

In Canada –

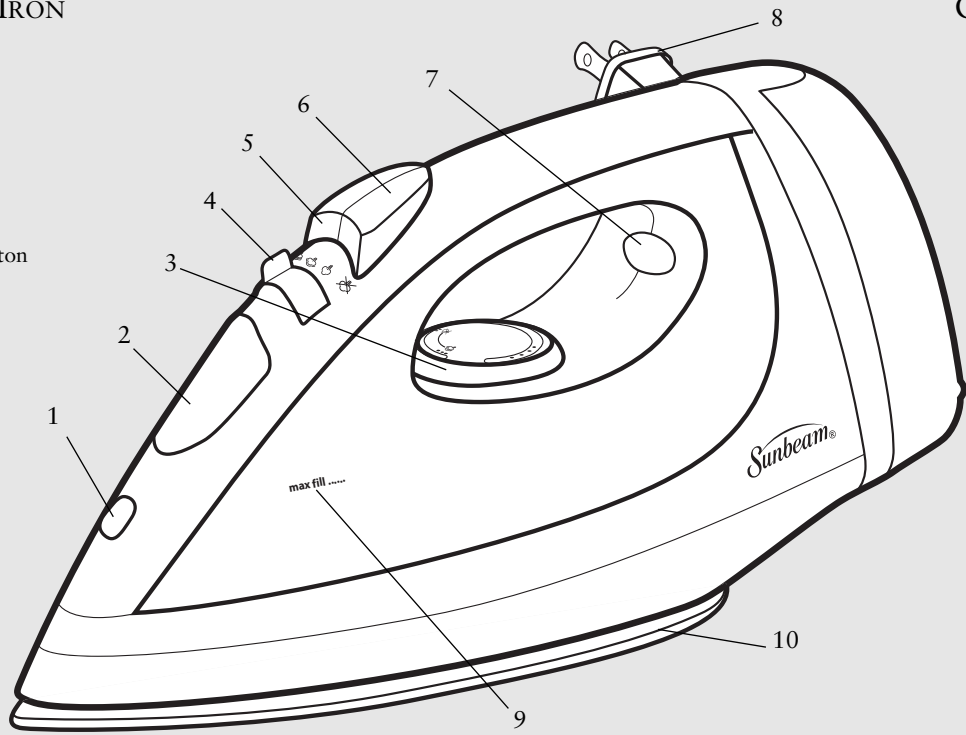
If you have any question regarding this warranty or would like to obtain warranty service, please call 1.800.667.8623 and a convenient service center address will be provided to you.

In the U.S.A., this warranty is offered by Sunbeam Products, Inc. doing business as Jarden Consumer Solutions located in Boca Raton, Florida 33431. In Canada, this warranty is offered by Sunbeam Corporation (Canada) Limited doing business as Jarden Consumer Solutions, located at 20 B Hereford Street, Brampton, Ontario L6Y 0M1. If you have any other problem or claim in connection with this product, please write our Consumer Service Department.

PLEASE DO NOT RETURN THIS PRODUCT TO ANY OF THESE ADDRESSES OR TO THE PLACE OF PURCHASE.

FEATURES OF YOUR SUNBEAM® IRON

1. SPRAY MIST® Release
2. Covered Water Fill Hole
3. Fabric Select Dial
4. Steam Selector/Self-Clean Lever
5. SPRAY MIST® Button
6. SHOT OF STEAM® / Vertical Steam Button
7. Power Indicator Light
8. Retractable Cord
9. See-Through Water Reservoir/ Maximum Fill Line
10. Soleplate



Visit www.sunbeam.com for an Ironing Guide and Ironing Tips

CARACTERÍSTICAS DE SU PLANCHA SUNBEAM®

1. Accionador de SPRAY MIST®
2. Orificio para Cargar Agua con Tapa
3. Perilla Selectora de Telas
4. Palanca selectora de vapor/ auto-lavado
5. Botón SPRAY MIST®
6. Botón SHOT OF STEAM® / Vapor Vertical
7. Luz Indicadora de Encendido
8. Cordón retractable
9. Reservorio de Agua Transparente / Línea de Llenar Máxima
10. Base

TO FILL THE WATER RESERVOIR *(use tap water)*

1. Make sure the iron is unplugged. Set the Steam Lever to ☼ (Dry) and the Fabric Select Dial to OFF.
2. Lift the Water Fill Hole Cover.
3. Fill water cup with tap water and pour water into iron water reservoir. Do not fill water reservoir beyond maximum fill level.

WARNING: To prevent the risk of burns, be careful when filling a hot iron with water. Hot metal parts, hot water and steam can cause injuries.

DRY IRONING

1. Make sure the Steam Lever is turned to the ☼ (Dry) setting.
2. Plug the cord into a 120-Volt AC outlet.
3. Turn the large Fabric Select Dial to the fabric setting you desire. Allow the iron to heat for 2 minutes. While the iron is heating, make sure it is sitting on its heel rest on a stable, protected surface.

Note: While the Steam Lever is turned to the ☼ (Dry) setting, you may still use the SHOT OF STEAM® or SPRAY MIST® feature, as long as the Fabric Select Dial is set to wool, cotton, or linen. Please make sure the water reservoir is approximately 1/4 full of water.

STEAM IRONING

1. Follow the instructions for “Filling the Water Reservoir.”
2. Plug the cord into a 120-Volt AC outlet.
3. Turn the Fabric Select Dial to the fabric setting you desire. Allow the iron to heat for 2 minutes. While the iron is heating, make sure it is sitting on its heel rest on a stable, protected surface.

IMPORTANT: When not ironing, always set the Steam Lever to ☼ (Dry) and the Fabric Select Dial to OFF.

USING THE IRON’S SPECIAL FEATURES

SPRAY MIST® FEATURE is a powerful water spray mist that dampens the fabric to aid in removing wrinkles from heavy fabrics and for setting creases.

TO USE THE SPRAY MIST® FEATURE: Press the Spray Mist® button firmly.

SHOT OF STEAM® FEATURE provides an extra burst of steam for deep penetration of stubborn wrinkles. You can use this feature while Dry or Steam ironing, as long as the Fabric Select Dial is set to wool, cotton, or linen. The water reservoir must be approximately 1/4 full of water.

TO USE THE SHOT OF STEAM® FEATURE: Place the iron on top of the wrinkle and press the Shot of Steam® button each time you would like an extra burst of steam. The Shot of Steam® feature may be used continuously in approximately 3-second intervals.

VERTICAL STEAM *(select models only)* allows your iron to function as a garment steamer.

Tip: When using vertical steam on clothing, hang the clothing on a clothes hanger for best results. Hanging curtains and drapes may also be steamed.

TO USE VERTICAL STEAM:

1. Make sure that the iron has heated up (2 minutes).
2. Hold the iron in a vertical position, with the iron close to but not touching the fabric you want to steam.
3. With your other hand, pull the fabric tight.
4. Press the Shot of Steam® button in approximately 3-second intervals as you move the iron across the wrinkled area.

WARNING: To prevent the risk of burns, keep your hand away from the area being steamed.

WARNING: DO NOT steam garments while wearing them; this may result in injuries.

TIMED AUTO-OFF

When the iron is plugged in, the Auto-Off activates automatically after 8 minutes. The Auto-Off will activate in any position after the 8 minutes. Once the Auto-Off activates, the power indicator light will turn off and the iron stops heating.

TO RESTART THE IRON: Unplug the iron and plug back into 120-Volt AC outlet.

If you do NOT want to iron any longer, unplug the iron. Then move the Variable Steam Lever to ☼ (Dry) and the Fabric Select Slider to Off.

WARNING: The Auto-Off is a safety feature and is not a recommended means for turning your iron off. See “Caring for Your Iron After Use.” always be handled and stored with care.

RETRACTABLE CORD *(select models only)* allows you to safely retract your power cord without a whipping effect.

1. Select the amount of cord desired before plugging into an electrical outlet. Do not pull cord past red indicator.
2. To retract the cord press the retraction button. Hold the iron with one hand and use the other hand to grab the end of the cord. *(failure to hold plug may cause plug to fly)*
3. The cord reel is compact for multi-layer winding of the cord. In case cord is not fully rewound, pull out the cord and steer cord evenly on the reel.
4. In case the cord is not pulled out easily, pull cord firmly.
5. Do not allow children to use retractable cord feature as the cord may cause injury.

CARING FOR YOUR IRON AFTER USE

TURNING OFF YOUR IRON: Turn the Steam Lever to ☼ (Dry) and Fabric Select Dial to Off and unplug the iron from the power source.

WARNING: NEVER yank the power cord when unplugging the iron. This can damage the cord.

STORING YOUR IRON

1. Turn off iron following instructions above. Allow the iron to cool.
2. If you do not use your iron on a daily basis, empty the water reservoir after each use for a longer iron life. To do so, unplug the iron, turn the iron upside down, open the fill hole cover, and allow water to flow from the fill hole. Shake the iron gently to remove trapped water drops.
3. If your iron does not have a retractable cord, loosely loop the power cord around the heel rest and store the iron on its heel rest.

IMPORTANT: Wrapping the cord around the iron too tightly can damage the cord.

MAINTAINING YOUR IRON

CLEANING THE SOLEPLATE: turn off iron following instructions above. Clean the soleplate if starch or other residue accumulate.

TO CLEAN THE SOLEPLATE: allow the iron to cool and then wipe it with a soft, damp cloth.

WARNING: DO NOT use abrasive cleansers, scouring pads or vinegar to clean the soleplate. This will damage the finish. Run the iron over an all-cotton cloth to remove any residue.

USING THE SELF-CLEANING FEATURE: You should use the Self-Cleaning feature once a month to maintain the optimal performance of your iron.

TO USE THE SELF-CLEANING FEATURE:

Turn off iron following instructions above.

1. Move the Steam Lever back and forth several times to remove debris and minerals from the Steam Valve. This keeps water flowing into the steam chamber.
 2. Fill the water reservoir with tap water to the MAX line.
 3. Plug in the iron, set the Fabric Select Dial to Linen and allow the iron to heat for 2 minutes.
 4. Unplug the iron.
 5. Hold the iron over a sink in a horizontal position.
- WARNING:** Be careful not to touch the iron’s hot surfaces.
6. Move the Self-clean Lever to the right and hold. Water will begin dripping from the steam vents. Slowly rock the iron side to side and front to back for 30 seconds. When rocking the iron, dip the nose of the iron slightly below the rear of the iron to make certain the water circulates completely. Release the Self-clean Lever after one minute.
 7. Open the fill cap, turn the iron upside down, and allow the remaining water to flow out of the fill hole.
 8. Dry the soleplate with a towel.
 9. Plug in the iron and set the Fabric Select Dial to Linen. Let the iron heat for 2 minutes to dry out the iron completely.
 10. Set the Fabric Select Dial to the Off, unplug the iron, and allow it to cool.

PARA LLENAR EL TANQUE DE AGUA *(use agua de grifo)*

1. Asegúrese de que la plancha esté desenchufada. Ponga la palanca de vapor en ☼ (Dry) (☼ [Seco]) y la perilla de selección de telas en Off (Apagado).
2. Levante la Tapa del Orificio del Tanque de Agua. La tapa se puede retirar y se puede volver a colocar cuidadosamente en las ranuras.
3. Llene la taza con agua. Vierta el agua en el tanque de agua de la plancha. No llene el tanque de agua más allá del nivel máximo de llenado.

ADVERTENCIA: Para prevenir el riesgo de quemaduras, tenga cuidado al llenar una plancha caliente con agua. Las partes de metal calientes, el agua caliente y el vapor pueden causar lesiones.

PLANCHANDO EN SECO

1. Asegúrese de que la palanca del vapor esté en la posición ☼ (Dry) (☼ [Seco]).
2. Enchufe el cable en un tomacorriente de CA de 120 voltios. (En México, 127 voltios)
3. Gire el Disco Selector de Tela (Fabric Select) en la posición deseada para planchando en seco y deje que la plancha se caliente durante 2 minutos. Mientras la plancha se está calentando, asegúrese de que esté apoyada sobre su talón de apoyo, encima de una superficie estable y protegida.

Nota: Mientras que la Palanca de Vapor esté en la posición ☼ (Dry) (☼ [Seco]), Disco Select o de Telas este fijo en lana, algodón, o lino usted. todavía puede usar las funciones SHOT OF STEAM® o SPRAY MIST® Por favor asegúrese que el reservorio de agua sea aproximadamente 1/4 de lleno de agua.

SUGERENCIA: Consulte la Guía de Planchado para conocer el nivel de temperatura adecuado para su tela.

PLANCHANDO AL VAPOR

1. Siga las instrucciones de la sección “Cómo Llenar el Depósito de Agua”.
2. Enchufe el cable en un tomacorriente de CA de 120 voltios.
3. Gire el Disco Selector de Telas a la posición deseada (Synthetic [sintética], Silk [seda] Linen [lino], Cotton [algodón] o Wool [lana]). Deje que la plancha se caliente durante 2 minutos. Mientras la plancha se está calentando, asegúrese de que esté apoyada sobre su talón de apoyo, encima de una superficie estable y protegida.

SUGERENCIA: Consulte la Guía de Planchado para conocer el nivel de temperatura adecuado para su tela.

IMPORTANTE: Cuando no esté planchando, siempre ponga la palanca de vapor en ☼ (Dry) (☼ [Seco]) y la perilla de selección de telas Off (Apagado).

USO DE LAS FUNCIONES ESPECIALES DE LA PLANCHA

LA FUNCIÓN SPRAY MIST®

La función Spray Mist®es una poderosa niebla de agua que humedece la tela para ayudar a eliminar las arrugas de las telas gruesas y para marcar los dobleces.

PARA USAR LA FUNCIÓN SPRAY MIST®: Presione el botón Spray Mist® firmemente.

LA FUNCIÓN SHOT OF STEAM®

La función Shot of Steam® brinda un chorro de vapor adicional para penetración profunda en arrugas rebeldes. Puede usar esta función cuiando plancha en seco o con vapor, mientras el Disco Selector de Telas este fijo en lana, algodón, o lino. El reservorio de agua de estar aproximadamente 1/4 del lleno de agua.

PARA USAR LA FUNCIÓN SHOT OF STEAM®: Ponga la plancha sobre la arruga y presione el botón Shot of Steam® cada vez que desee aplicar un chorro adicional de vapor. La función Shot of Steam® se puede usar en forma continua o a intervalos de aproximadamente 3 segundos.

VAPOR VERITICAL *(modelos seleccionados únicamente)*

La función vapor vertical permite que su plancha funcione como vaporizador para prendas. Consejo: Cuando use el vapor vertical sobre las prendas, cuélguelas de una percha para obtener mejores resultados. También se puede usar en cortinas y cortinados colgados.

Para usar el vapor vertical:

1. Asegúrese de que la plancha se haya calentado (2 minutos).
2. Sostenga la plancha en posición vertical, con la plancha cerca de la tela que desea vaporizar pero sin tocarla.
3. Con la otra mano, mantenga tensa la tela.
4. Presione el botón Shot of Steam® a intervalos de aproximadamente 3 segundos a medida que mueve la plancha por la zona arrugada.

ADVERTENCIA: Para prevenir el riesgo de quemaduras, mantenga la mano alejada de la zona que está vaporizando.

ADVERTENCIA: NO vaporice las prendas mientras las tenga puestas ya que esto puede provocar lesiones.

FUNCIÓN DE APAGADO AUTOMÁTICO DE 30 MINUTOS

Cuando la plancha esta enchufada, el Apagado Automático se activara después de 30 minutos. El Apagado Automático se activara en cualquier posición después de 30 minutos. Cuando se activa el Apagado Automático, la Luz Indicadora de Encendido se apaga y la plancha para de calentar.

PARA REINICIAR LA PLANCHA: Desenchufe la plancha y vuelva a enchufar en un tomacorriente AC de 120 voltios. Si no quiere seguir planchando, desenchufe la plancha. Luego coloque la Palanca de Vapor Variable en la posición (Seco) y Selector de Tela en la posición Off (Apagado).

ADVERTENCIA: La función de Apagado Automático es una función de seguridad, no es un medio recomendado para apagar la plancha. Vea “Cómo Cuidar la Plancha Después del Uso”.

CORDÓN RETRACTABLE *(modelos seleccionados únicamente)* permite retraer el cable de corriente sin el efecto de latigazo.

1. Seleccione la cantidad de cordón deseada antes de enchufar en un tomacorriente. No tire7 del cable más allá del indicador rojo.
2. Para retraer el cordón presione el botón de retracción. Sostenga la plancha con una mano y use la otra mano para agarrar el extremo del cable. (no sostener el enchufe puede causar que el mismo salga volando)
3. El carrete del cordón es compacto para enrollar múltiples capas del cordón. En caso que el cordón no se rebobinara completamente, saque el cordón y dirija el cable uniformemente en el carrete.
4. En el caso que el cordón no se sacara fácilmente, tire del cordón firmemente.
5. No permita a los niños usar la función retractable del cordón ya que el cordón puede causar lesiones.

CUIDADO DE SU PLANCHA DESPUÉS DEL USO

APAGADO DE SU PLANCHA

1. Ponga la palanca de vapor en (Dry) ([Seco]) y la perilla de selección de telas en Off (Apagado).
 2. Desenchufe la plancha del tomacorriente.
- ADVERTENCIA:** NUNCA tire del cable para desenchufar la plancha. Esto puede dañar el cable.

ALMACENAMIENTO DE SU PLANCHA

1. Deje enfriar la plancha.
2. Si no usa la plancha diariamente, vacíe el reservorio de agua después de cada uso para que la misma tenga una mayor vida útil. Para hacerlo, desenchufe la plancha, inviértala, abra la tapa del orificio para cargar agua y deje que salga el agua por el orificio. Sacuda la plancha suavemente para eliminar las gotas de agua retenidas.
3. Si su plancha no tiene cordón retractable, enrolle el cable alrededor del talón de apoyo y almacene la plancha parada sobre su talón de apoyo.

IMPORTANTE: Si se enrolla el cable de manera muy ajustada alrededor de la plancha se puede dañar el cable.

CONSEJO: Cuando no esté planchando, siempre ponga la palanca de vapor en ☼ (Dry) (☼ [Seco]) y la perilla de selección de telas en Off (Apagado).

MANTENIENDO DE SU PLANCHA

LIMPIEZA DE LA BASE

Limpie la base si se acumula almidón o algún otro residuo.

PARA LIMPIAR LA BASE:

- 1.Deje enfriar la plancha y luego pásele un paño suave y húmedo.
- ADVERTENCIA:** No use limpiadores abrasivos, esponjas de metal ni vinagre para limpiar la base. Esto dañará el acabado.
2. Pase la plancha por un paño de puro algodón para eliminar cualquier residuo.

USO DE LA FUNCIÓN DE AUTO-LIMPIEZA

Debe usar la función de Auto-Limpieza una vez al mes para mantener el desempeño óptimo de su plancha.

Para usar la función de Auto-Limpieza:

1. Mueva la Palanca de Vapor para atrás y adelante varias veces para quitar los restos y los minerales de la Válvula de Vapor. Esto mantiene el agua fluyendo en el compartimiento del vapor.
2. Llene el depósito del agua con agua del grifo hasta la línea MAX.
3. Enchufe la plancha, ponga el Disco Selector de Telas en Linen (Lino). Y permita que la plancha se caliente durante 2 minutos.
4. Desenchufe la plancha.
5. Sostenga la plancha sobre un fregadero en una posición horizontal.
- CUIDADO:** Tenga cuidado de no tocar las superficies calientes de la plancha.
6. Mueva la palanca de auto-lavado hacia la derecha y manténgala. El agua comenzará a gotear de los respiraderos del vapor. Balancee la plancha lentamente de lado a lado y de adelante para atrás por 30 segundos. Al balancear la plancha, ponga la nariz de la plancha levemente más baja que la parte posterior para asegurarse de que el agua circule totalmente. Suelte el Palanca de auto-limpieza después de un minuto.
7. Abra la tapa del depósito de agua, invierta la posición de la plancha al revés y deje que el agua restante fluya afuera por el orificio de llenado.
8. Seque la base con una toalla.
9. Enchufe la plancha, ponga el Disco Selector de Telas en Linen (Lino). Deje calentar la plancha por 2 minutos para secar la plancha completamente.
10. Ponga el Disco Selector de Telas en la posición Off, desenchufe la plancha, y déjela enfriar.